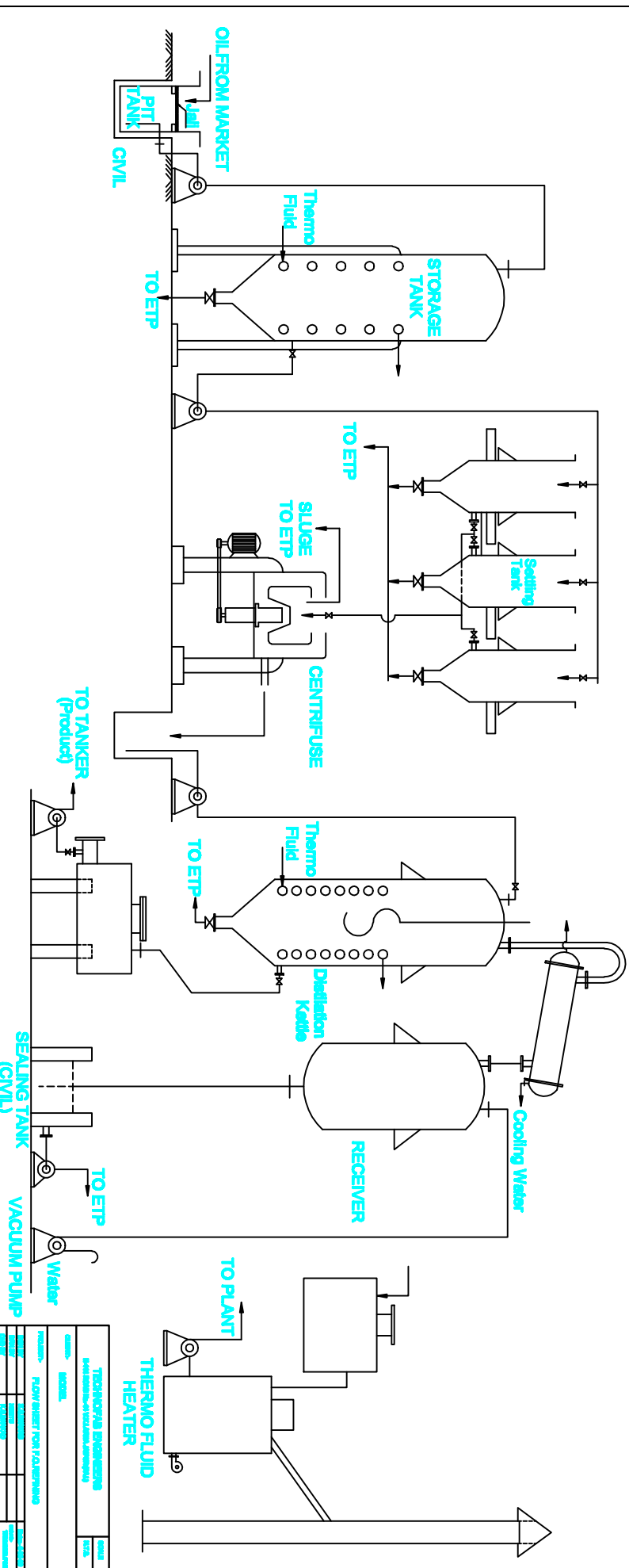


FLOW SHEET FOR F.O. REFINING



TECHNOVA ENGINEERING 1444, Sector-10, Gurgaon, Haryana	
PROJECT: FLOW SHEET FOR F.O. REFINING	DATE: 2024
DESIGNER: [Name]	CHECKED: [Name]
DATE: 2024	SCALE: 1:1